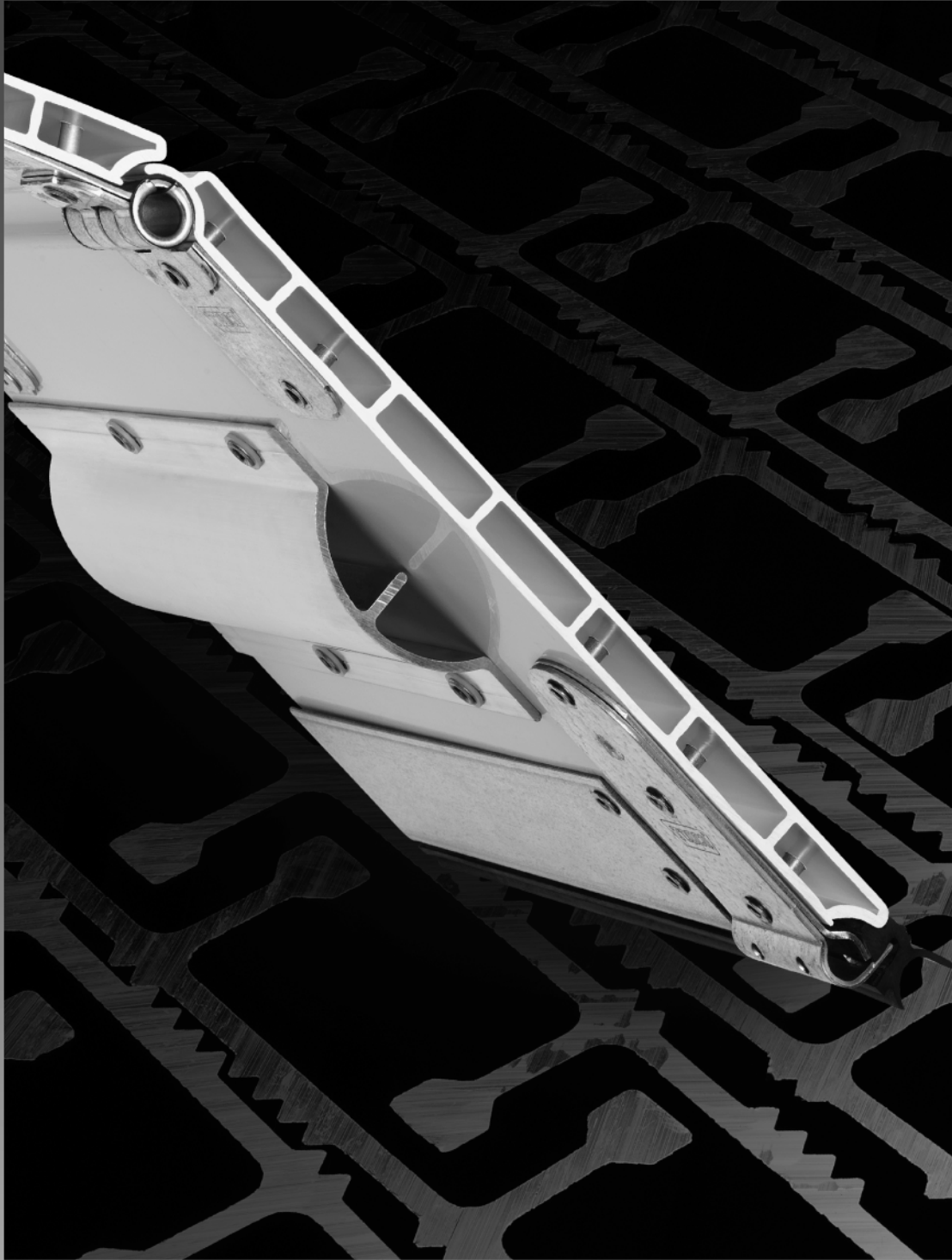


# WEATHERTITE™ DOOR

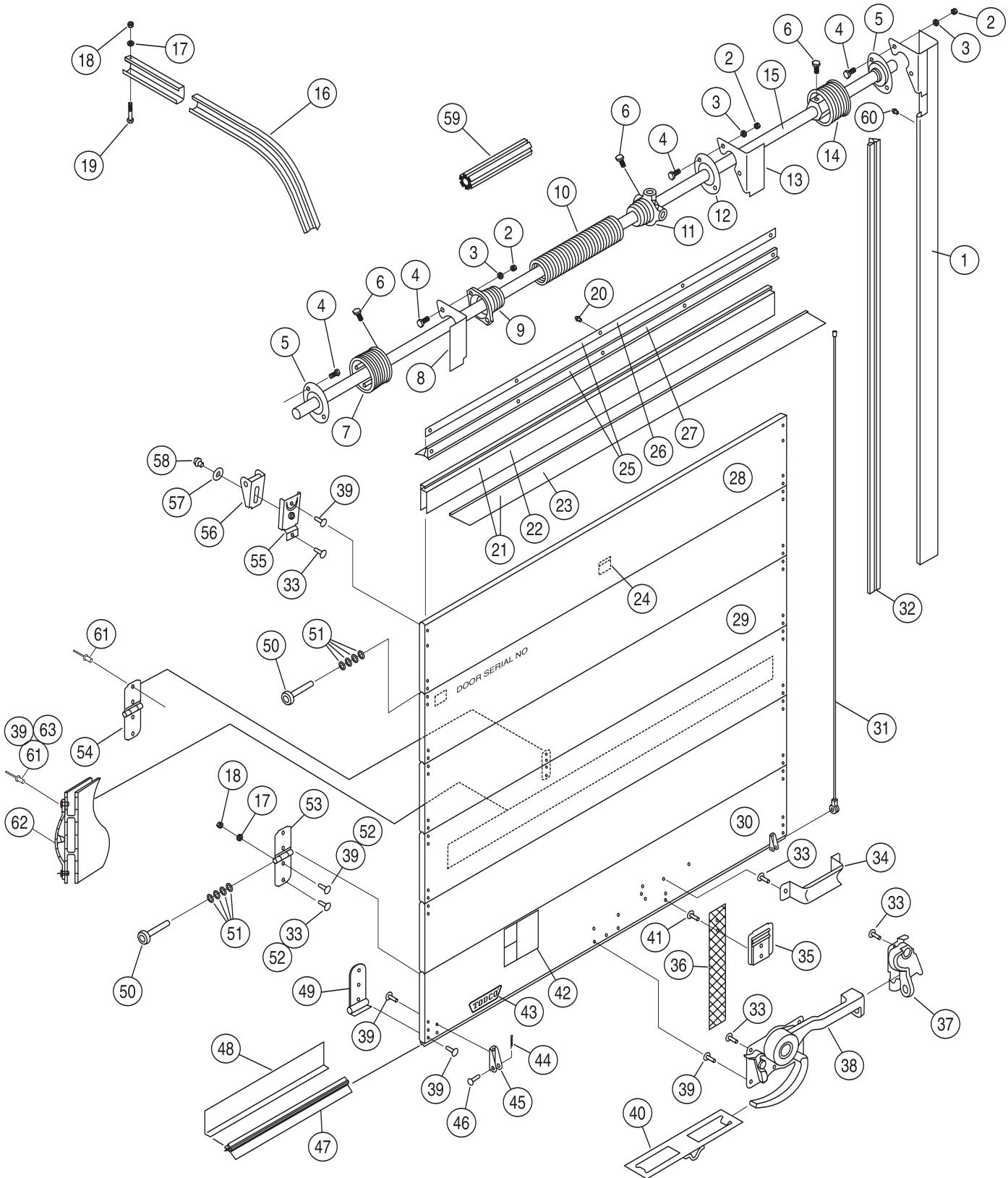
PARTS



**TODCO®**



# WEATHERTITE DOOR



# STANDARD PARTS LIST

Item	Part No.	Description
1	49014-1	Vertical Track Assembly - L.H. (Curbside)
	49014-2	Vertical Track Assembly - R.H. (Roadside)
2	80352-518	Hex Nut - 5/16" NC
3	80322-319	Lock Washer - 5/16"
4	89186-3	Hex Head Bolt - 5/16" NC x 7/8"
5	51038	Bearing Assembly
6	80300-2414	Hex Head Set Screw - 3/8" NC x 7/8"
7	59129-2	Cable Drum - R.H. (Roadside) to 105" Door Height
	59157-4	Cable Drum - R.H. (Roadside) 105" to 120" Door Height
8	51036-2	Spring Anchor Bracket
9	51043	Spring Anchor Plug 1-3/4" I.D. Spring
	59024	Spring Anchor Plug 2-1/2" I.D. Spring
10	51042*	Spring - 1-3/4" I.D.
	59031*	Spring - 2-1/2" I.D.
11	59158	Spring Winding Plug 1-3/4" I.D. Spring
	59159	Spring Winding Plug 2-1/2" I.D. Spring
12	59083	Bearing Assembly - Support Bracket
13	51036-1	Support Bracket - L.H. (Curbside)
14	59129-1	Cable Drum - L.H. (Curbside) to 105" Door Height
	59157-3	Cable Drum - L.H. (Curbside) 105" to 120" Door Height
15	59290	Counterbalance Shaft
16	49702-1	Horizontal Track - L.H. (Curbside)
	49702-2	Horizontal Track - R.H. (Roadside)
17	80322-255	Lock Washer - 1/4" NC
18	80352-420	Hex Nut - 1/4" NC
19	80105-414	Hex Head Bolt - 1/4" NC x 1-3/4"
20	89100-2	Drive Rivet 3/16" Dia. X 15/32" LG.
21	70468	Head Seal Assembly (Panel Mounted)
22	70464	Retainer - Head Seal (Panel Mounted)
23	69718	Head Seal (Panel Mounted)
24	70319	Warning Sticker - Counterbalance
25	69770	Head Seal Assembly (Header Mounted)
	61403	Retainer - Head Seal (Header Mounted)
27	61402	Head Seal (Header Mounted)

Item	Part No.	Description
28	29917**	Top Panel - WeatherTite
29	29918**	Intermediate Panel - WeatherTite
30	29919**	Bottom Panel - WeatherTite
31	51044	Cable Assembly - 110" LG. - to 100" Door Height
	59004	Cable Assembly - 115" LG. 100" to 105" Door Height
	59003	Cable Assembly - 130" LG. 105" to 120" Door Height
32	61390	Side Seal - Pair
33	89210-0032	Rivet - 1" LG.
34	61401	Lift Handle
35	69832	Pull Strap Retainer
36	80844-1408	Pull Strap - 30" Straight Standard (44" LG.)
37	69572	Keeper Assembly
38	69571	Maximum Security Lock Assembly - Standard
	70223	Maximum Security Lock Assembly - Offset Lever Arm
39	89210-0036	Rivet - 1-1/8" LG.
40	70093	Catch Box
41	89210-0044	Rivet - 1-3/8" LG.
42	70318	Warning Sticker - Safety Notice
43	69793	Name Plate
44	80401-316	Cotter Pin - 3/32" Dia.
45	61204	Cable Anchor Bracket
46	61026	Cable Anchor Pin
47	80840	Bottom Seal
48	61191	Bottom Angle
49	61352	Bottom Fixture
50	61174	Roller
51	80020	Spacer Washer-Roller
52	80015-0040	Step Bolt - 1/4" NC x 1-1/4"
53	69035	End Hinge
54	61196	Center Hinge
55	69432	Base - Adjustable Top Fixture
56	69431	Slide - Adjustable Top Fixture
57	80302-2436	Flatwasher - 3/8"
58	89049	E-Lok Bolt - 3/8" NC
59	59092	Filler Plug - 2-1/2" I.D. Spring
60	89100-1	Drive Rivet - 3/16" Dia. x 9/32" LG.
61	89299-4000	Blind Rivet - 1/4" Dia.
62	70465	Reinforcement Strap for Panels over 89.25" Width
63	89317	Sleeve

\* See counterbalance instructions at the right.

\*\* Must specify panel size and hardware.

Note: Add .05 to end of part number for e-coated part.

## MAINTENANCE GUIDE

Lubricate with TODCO FG Lube all roller bearings and stems, (lubricate bottom roller stem through holes in bottom fixture), counterbalance bearings, center



and end hinges, and moving lock parts.

Wipe dirt from tracks.

Spray horizontal tracks with TODCO FG Lube or light oil (never grease).

Spray counterbalance with TODCO FG Lube to

prevent rusting. REFER TO SAFETY INSTRUCTIONS STICKER ON DOOR AND OWNER'S MANUAL FOR OPTIONS AND FOR OTHER IMPORTANT SAFETY AND MAINTENANCE ITEMS.



## COUNTERBALANCE ASSEMBLIES

Every TODCO counterbalance assembly has been manufactured to meet a custom door specification. TO HELP ENSURE THAT YOU RECEIVE THE CORRECT REPLACEMENT PART OR ASSEMBLY, PLEASE PROVIDE THE DOOR SERIAL NUMBER. This can be found on the metal tag attached to the inside upper right-hand corner of the door.

If the serial number is unavailable, we must have the following information:

- 1) Inside diameter (I.D.) of the torsion spring.
- 2) Length of the torsion spring.
- 3) Number of coils within 10 inches of the torsion spring.
- 4) Length of the shaft.
- 5) Part number on each of the two (2) cable drums.



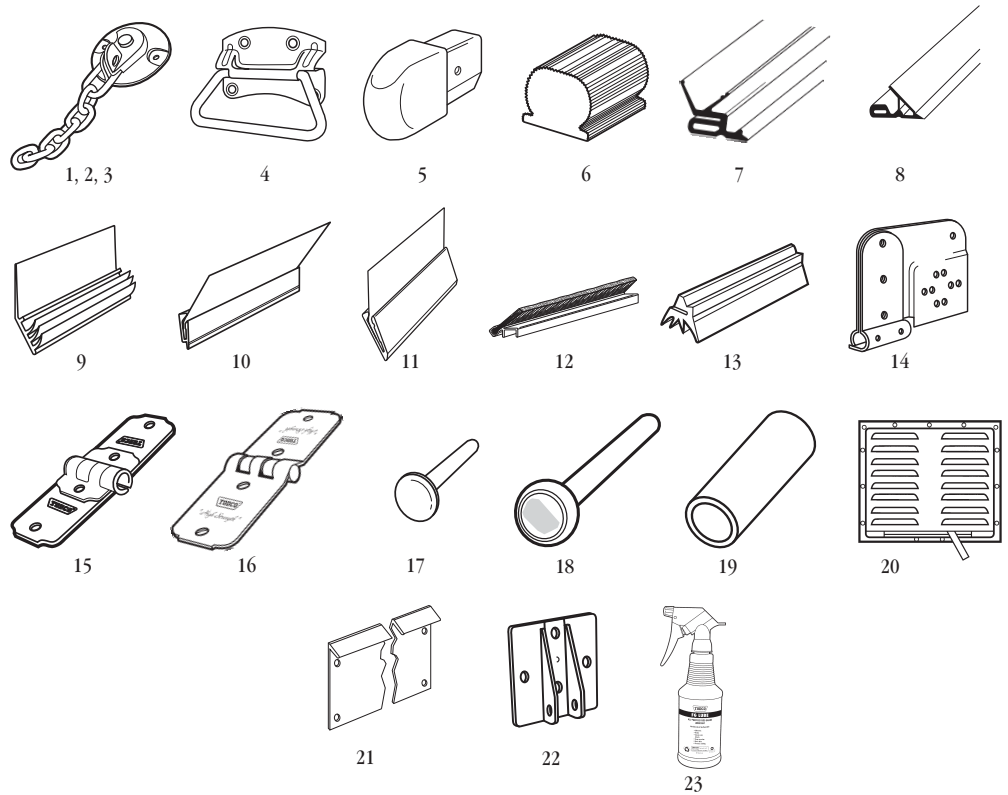
# WEATHERTITE ACCESSORY PARTS

## ORDERING INSTRUCTIONS

When ordering parts, be sure to include the part name and number and your door's SERIAL NUMBER. See metal tag attached to the inside upper right-hand corner of the door (standing inside unit facing the door).



Orders for replacement door panels should specify whether top, intermediate or bottom panel is required (panel width, height and thickness dimensions should be indicated).



For new orders and order inquiries:

call: (740) 383-6376

fax: 1-800-24-TODCO  
(800-248-6326)



1332 Fairground Road East  
Marion, Ohio 43302  
(740) 383-6376

**NOT JUST TOUGH...TODCO-TOUGH**

www.todco.com

Item	Part No.	Description
1	61223	Back Plate - Safety Chain
2	61229	Safety Chain
3	69020	Safety Chain Lock Assembly
4	69325	Drop Lift Handle
5	69353	Head Protector (Yellow)
6	61398	Bumper Stop (Black)
7	70131	Side Seal - Dual Lip
8	69840	Side Seal - Extended Lip
9	70338	Side Seal Assembly - Push in (1/2" Track Spacing)
10	69922	Side Seal Assembly
11	70105	Side Seal Assembly Secondary
12	70232	Side Seal Assembly - 1" Brush
	70313	Side Seal Assembly - 1-1/2" Brush
13	89204	Bottom Seal - Heavy Duty (3/4" Door)
14	69964-1	Bottom Fixture Assembly H.D./L.H. (Curbside)
	69964-2	Bottom Fixture Assembly H.D./R.H. (Roadside)
15	70236	End Hinge - High Strength
	69035.0000.38	End Hinge - EverWare

Item	Part No.	Description
16	70238	Center Hinge - High Strength
	61196.0000.38	Center Hinge - EverWare
17	89291-0032	Rivet - 1" Stainless Steel
	89291-0036	Rivet - 1-1/8" Stainless Steel
	89291-0040	Rivet - 1-1/4" Stainless Steel
	89291-0042	Rivet - 1-5/16" Stainless Steel
	89291-0044	Rivet - 1- 3/8" Stainless Steel
	89291-0048	Rivet - 1-1/2" Stainless Steel
18	69162	Roller - 1" Sealed
	70305	Roller - 1" Sealed (Precision Machined)
19	51078	Spring Silencer Boot
20	69085	Polar Vent - Aluminum
21	70306-0512	Forklift Plate - Aluminum (16" Long)
	70306-1152	Forklift Plate - Aluminum (36" Long)
22	59193	Heavy Duty Cable Anchor Bracket
23	39000-1012	TODCO FG Lube (case)

TODCO reserves the right to change product specifications at any time without notice.

01/14