

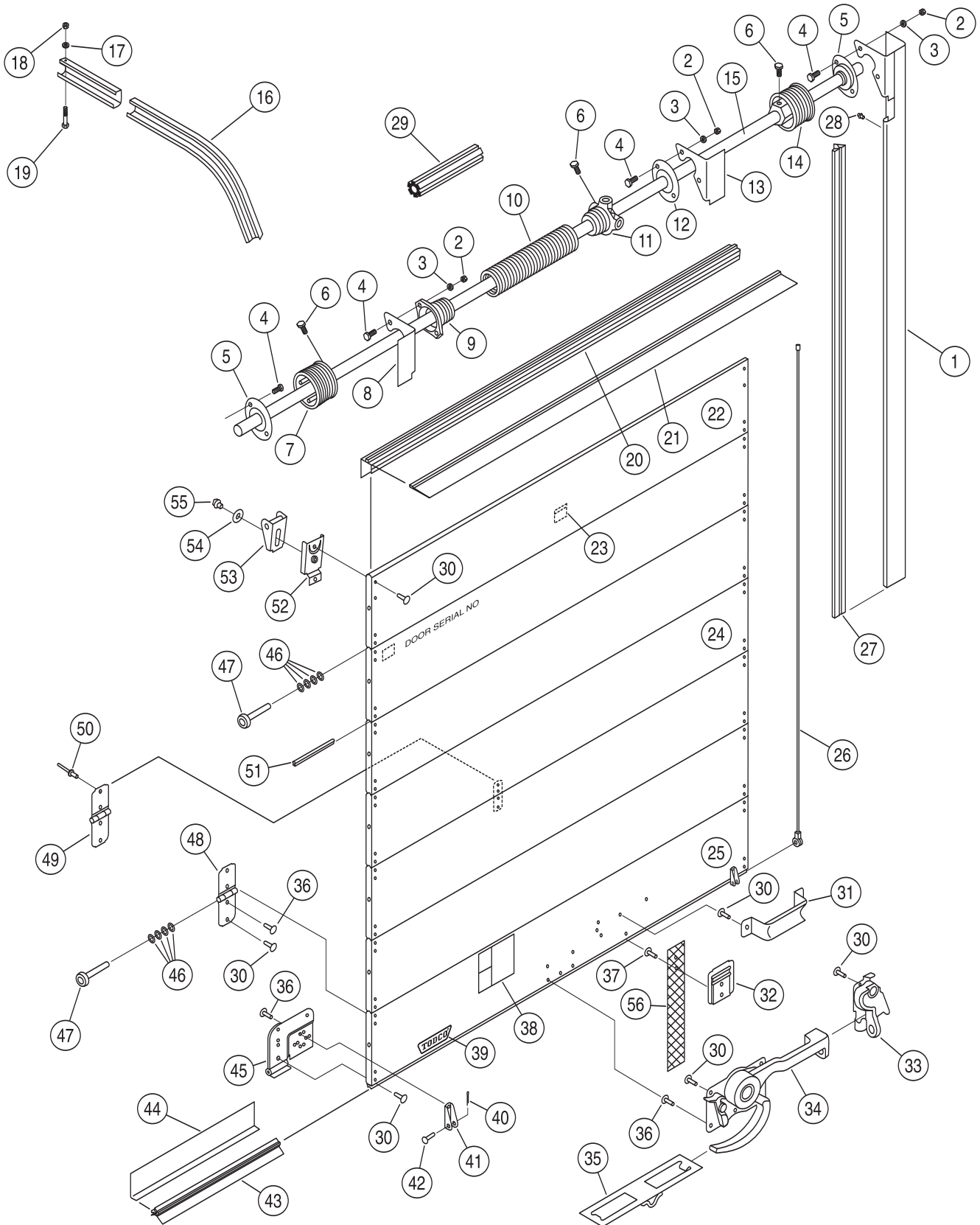
**1 1/8" TODCOLD®  
INSULATED FIBERGLASS DOOR**

**PARTS**





# 1 1/8" TODCOLD®



# STANDARD PARTS LIST

Item	Part No.	Description
1	49593-1	Vertical Track Assembly-L.H. (Curbside)
	49593-2	Vertical Track Assembly-R.H. (Roadside)
2	80352-518	Hex Nut - 5/16" NC
3	80322-319	Lock Washer - 5/16"
4	89186-3	Hex Head Bolt - 5/16" NC X 7/8"
5	51038	Bearing Assembly
6	80300-2414	Hex Head Set Screw 3/8" NC X 7/8"
7	59129-2	Cable Drum (Alum) - R.H. (Roadside) To 105" Dr. Hgt.
	59157-4	Cable Drum (Alum) - R.H. (Roadside) 105" To 120" Dr. Hgt.
8	51036-2	Spring Anchor Bracket
9	51043	Spring Anchor Plug 1-3/4" I.D. Spring
	59024	Spring Anchor Plug 2-1/2" I.D. Spring
10	51042*	Spring- 1-3/4" I.D.
	59031*	Spring- 2-1/2" I.D.
11	59158	Spring Winding Plug 1-3/4" I.D. Spring
	59159	Spring Winding Plug 2-1/2" I.D. Spring
12	59083	Bearing Assembly Support Bracket
13	51036-1	Support Bracket -L.H. - (Curbside)
14	59129-1	Cable Drum (Alum) - L.H. (Curbside) To 105" Door Hgt.
	59157-3	Cable Drum (Alum) - L.H. (Curbside) 105" To 120" Dr. Hgt.
15	59290	Counterbalance Shaft
16	49702-1	Horizontal Track - L.H. (Curbside)
	49702-2	Horizontal Track - R.H. (Roadside)
17	80322-255	Lock Washer - 1/4" NC
18	80352-420	Hex Nut - 1/4" NC
19	80105-414	Hex Head Bolt - 1/4" NC x 1-3/4"
20	70083	Top Cap
21	69718	Head Seal - Panel Mounted
22	29652	Top Panel w/ Top Cap (Specify Panel Height & Weight)
	70319	Warning Sticker - C/B
24	29650	Intermediate Panel - 11" (Specify Panel Length)
	29651	Intermediate Panel - 15" (Specify Panel Length)
25	29640**	Bottom Panel - 11" (With Hardware, No Lock)

Item	Part No.	Description
25 (cont'd.)	29641**	Bottom Panel - 15" (With Hardware, No Lock)
26	51044	Cable Assembly - 110" Long (To 100" Door Height)
	59004	Cable Assembly - 115" Long (100" To 105" Door Height)
27	59003	Cable Assembly - 130" Long (105" TO 120" Door Height)
	61390	Side Seal - Pair
28	89100-1	Dr. Rivet 3/16" Dia. X 9/32" Long
29	59092	Filler Plug - 2-1/2" I.D. Spring
30	89291-0044	Rivet - 1-3/8" Stainless Steel
	80015-0052	Step Bolt -1/4" NC X 1-5/8" LG.
31	61401	Lift Handle
32	69832	Pull Strap Retainer
33	69572	Keeper Assembly
34	69571	Maximum Security Lock - Std.
	70223	Maximum Security Lock Assembly Offset Lever Arm
35	70093	Catch Box
36	89291-0048	Rivet 1-1/2" Stainless Steel
37	89291-0052	Rivet 1-5/8" Stainless Steel
38	70318	Warning Sticker - Safety Notice
39	69793	Name Plate
40	80401-316	Cotter Pin - 3/32" Dia.
41	61204	Cable Anchor Bracket
42	61026	Cable Anchor Pin
43	70084	Bottom Seal
44	69110	Bottom Angle
45	70082-2	Bottom Fixture - R.H. (Roadside)
	70082-1	Bottom Fixture - L.H. (Curbside)
46	80020	Space Washer - Roller
47	69162	Roller - Sealed
48	69035	End Hinge
49	61196	Center Hinge
50	89113-1	Blind Rivet-1/4" Dia. X 1/4" Grip
51	69989	Joint Seal
52	69432	Base - Adjustable Top Fixture
53	69431	Slide - Adjustable Top Fixture
54	80302-2436	Flatwasher - 3/8"
55	89049	E-LOK Bolt - 3/8" NC
56	80844-1408	Pull Strap - 30" Straight Standard - (44" I.G.)
<p>* See counterbalance instructions at the right.</p> <p>** Includes bottom seal, bottom fixtures &amp; bottom angle, drilled for lock. Does not include lock, pull strap, lift handle or cable anchor brackets.</p> <p>Note: Add .05 to end of part number for e-coated part.</p>		

## MAINTENANCE GUIDE

Lubricate with TODCO FG Lube all roller bearings and stems, (lubricate bottom roller stem through holes in bottom fixture), counterbalance bearings, center and end hinges, and moving lock parts.



Wipe dirt from tracks. Spray horizontal tracks with TODCO FG Lube or light oil (never grease). Spray counterbalance with TODCO FG Lube to prevent rusting. REFER TO SAFETY INSTRUCTIONS STICKER ON DOOR AND OWNER'S MANUAL FOR OPTIONS AND FOR OTHER IMPORTANT SAFETY AND MAINTENANCE ITEMS.



## COUNTERBALANCE ASSEMBLIES

Every TODCO counterbalance assembly has been manufactured to meet a custom door specification. TO HELP ENSURE THAT YOU RECEIVE THE CORRECT REPLACEMENT PART OR ASSEMBLY, PLEASE PROVIDE THE DOOR SERIAL NUMBER. This can be found on the metal tag attached to the inside upper right-hand corner of the door.

If the serial number is unavailable, we must have the following information:

- 1) Inside diameter (I.D.) of the torsion spring.
- 2) Length of the torsion spring.
- 3) Number of coils within 10 inches of the torsion spring.
- 4) Length of the shaft.
- 5) Part number on each of the two (2) cable drums.



# 1 1/8" TODCOLD® ACCESSORY PARTS

## ORDERING INSTRUCTIONS

When ordering parts, be sure to include the part name and number and your door's SERIAL NUMBER. See metal tag attached to the inside upper right-hand corner of the door (standing inside unit facing the door).



Orders for replacement door panels should specify whether top, intermediate or bottom panel is required. Specify panel Height and Width.

For new orders and order inquiries:

call: (740) 383-6376

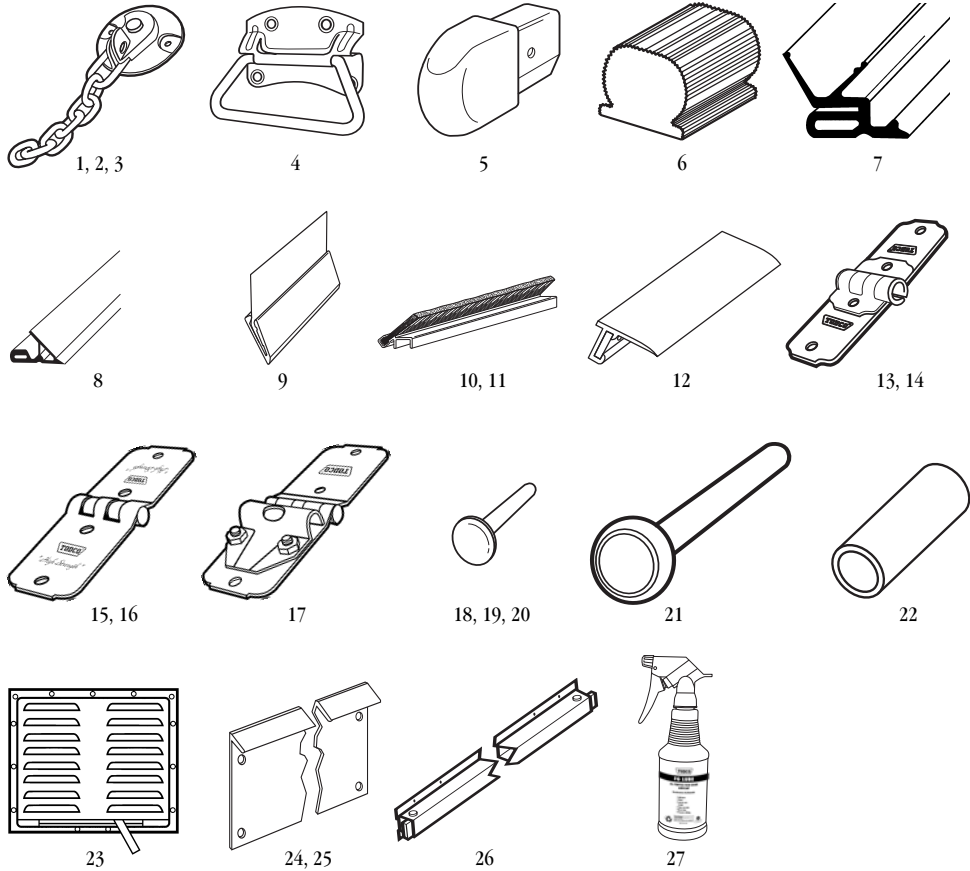
fax: 1-800-24-TODCO  
(800-248-6326)



1332 Fairground Road East  
Marion, Ohio 43302  
(740) 383-6376

**NOT JUST TOUGH...TODCO-TOUGH**

www.todco.com



Item	Part No.	Description	Item	Part No.	Description
1	61223	Back Plate-Safety Chain	16	70434	Center Hinge-Stainless Steel
2	61229	Safety Chain	17	70311	End Hinge Removable Roller
3	69020	Safety Chain Lock Assembly	18	89291-0052	Rivet -1-5/8" Stainless Steel
4	69325	Drop Lift Handle	19	89291-0044	Rivet -1-3/8" Stainless Steel
5	69353	Head Protector (Yellow)	20	89291-0048	Rivet -1-1/2" Stainless Steel
6	61398	Bumper Stop (Black)	21	70305	Roller - 1" Sealed (Precision Machined)
7	70131	Side Seal-Dual Lip	22	51078	Spring Silencer Boot
8	69840	Side Seal-Extended Lip	23	69085	Polar Vent-Aluminum
9	70105	Side Seal Assembly - Secondary	24	70306-0512	Forklift Plate-Aluminum (16" Long)
10	70232	Side Seal Assembly 1" Brush	25	70306-1152	Forklift Plate-Aluminum (36" Long)
11	70313	Side Seal Assembly 1-1/2" Brush	26	39582-1	Load Bar
12	69770	Head Seal Assembly (Header Mounted)	27	39000-1012	TODCO FG Lube (case)
13	70236	End Hinge-High Strength			
14	70435	End Hinge-Stainless Steel			
15	70238	Ctr. Hinge-High Strength			

TODCO reserves the right to change product specifications at any time without notice.