

**2½" POLARGUARD®
INSULATED FIBERGLASS DOOR**

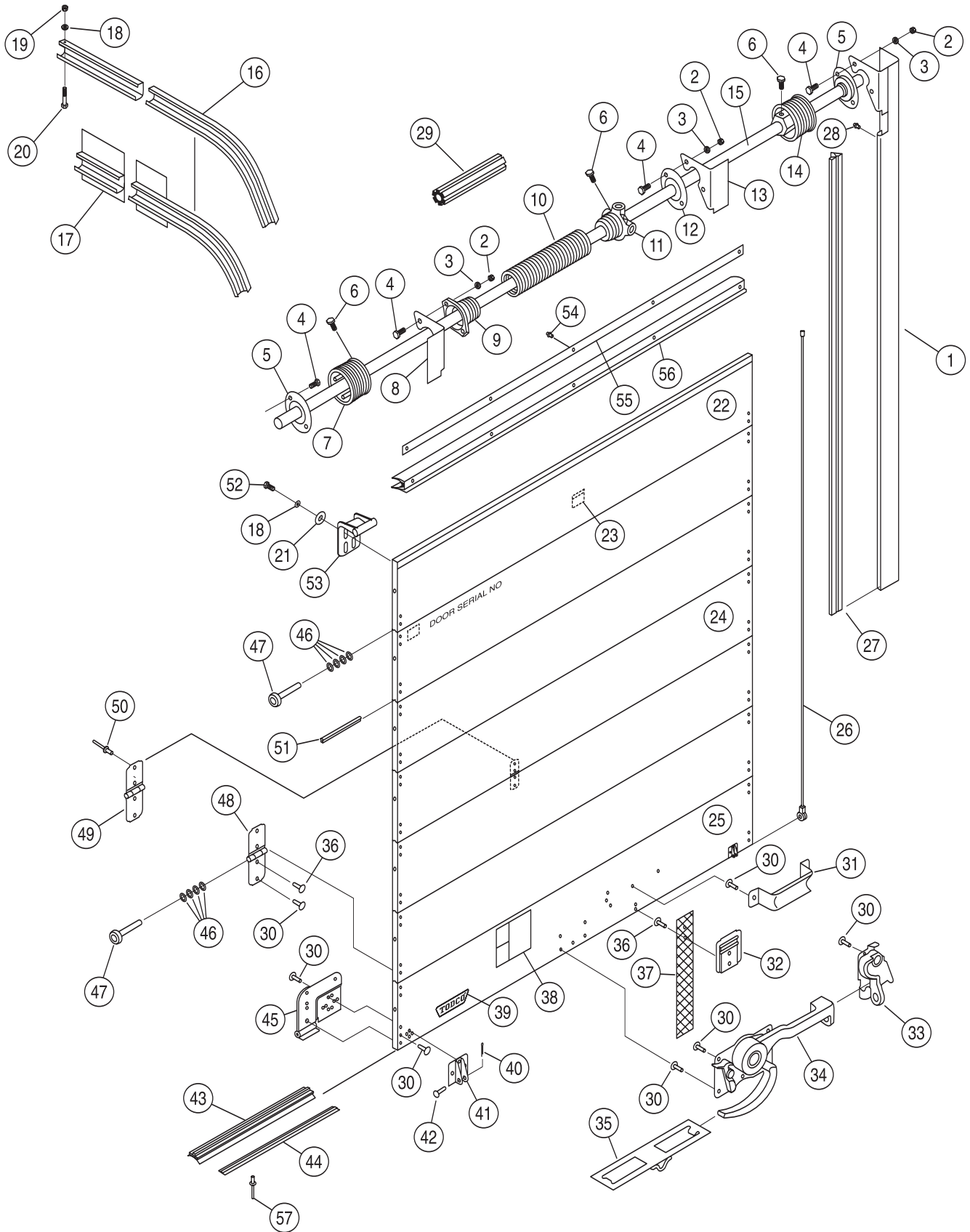
PARTS



TODCO®



2 1/2" POLARGUARD®



STANDARD PARTS LIST

Item	Part No.	Description
1	49312-1	Vertical Track Assembly L.H. (Curbside)
	49312-2	Vertical Track Assembly R.H. (Roadside)
2	80352-518	Hex Nut - 5/16" NC
3	80322-319	Lock Washer - 5/16"
4	89186-3	Hex Head Bolt - 5/16" NC X 7/8"
5	51038	Bearing Assembly
6	80300-2414	Hex Head Set Screw 3/8" NC X 7/8"
7	59129-2	Cable Drum (Alum) - R.H. (Roadside) To 105" Door Hgt.
	59157-4	Cable Drum (Alum) - R.H. (Roadside) 105" To 120" Dr. Hgt.
8	51036-2	Spring Anchor Bracket
9	51043	Spring Plug 1-3/4" I.D. Spring
	59024	Spring Anchor Plug 2-1/2" I.D. Spring
10	51042*	Spring - 1-3/4" I.D.
	59031*	Spring - 2-1/2" I.D.
11	59158	Spring Winding Plug 1-3/4" I.D. Spring
	59159	Spring Winding Plug 2-1/2" I.D. Spring
12	59083	Bearing Assembly Support Bracket
13	51036-1	Support Bracket L.H. (Curbside)
14	59129-1	Cable Drum (Alum) - L.H. (Curbside) To 105" Dr. Hgt.
	59157-3	Cable Drum (Alum) - L.H. (Curbside) 105" To 120" Dr. Hgt.
15	59290	Counterbalance Shaft
16	49702-1	Horizontal Track - Upper L.H. (Curbside)
	49702-2	Horizontal Track - Upper R.H. (Roadside)
17	49101-1	Horizontal Track Lower L.H. (Curbside)
	49101-2	Horizontal Track Lower R.H. (Roadside)
18	80322-255	Lock Washer - 1/4" NC
19	80352-420	Hex Nut - 1/4" NC
20	80105-414	Hex Head Bolt - 1/4" NC X 1-3/4"
21	80302-1720	Flatwasher - 1/4" Diameter
22	29558	Top Panel w/ Top Cap (Specify Panel Height & Width)
23	70319	Warning Sticker - C/B
24	29556	Intermediate Panel - 12" (Specify Panel Length)
	29557	Intermediate Panel - 15" (Specify Panel Length)

Item	Part No.	Description
25	29575-12**	Bottom Panel - 12" (With Hardware, No Lock)
	29575-15**	Bottom Panel - 15" (With Hardware, No Lock)
26	51044	Cable Assembly - 110" Long (To 100" Door Height)
	59004	Cable Assembly - 115" Long (100" To 105" Door Height)
	59003	Cable Assembly - 130" Long (105" TO 120" Door Height)
27	61390	Side Seal - Pair
28	89100-1	Drive Rivet - 3/16" Dia. X 9/32" LG.
29	59092	Filler Plug - 2-1/2" I.D. Spring
30	89210-0090	Rivet - 2-13/16" Stainless Steel
	80015-0096	Step Bolt - 1/4" NC X 3" LG.
31	61401	Lift Handle
32	69832	Pull Strap Retainer
33	69572	Keeper Assembly
34	69571	Maximum Security Lock Assembly - Standard
	70223	Maximum Security Lock Assembly - Offset Lever Arm
35	70093	Catch Box
36	89291-0092	Rivet - 2 -7/8" Stainless Steel
37	80844-1408	Pull Strap - 30" Straight Standard - (44" LG.)
38	70318	Warning Sticker - Safety Notice
39	69793	Name Plate
40	80401-316	Cotter Pin - 3/32" Diameter
41	59193	Cable Anchor Bracket
42	61026	Cable Anchor Pin
43	69987	Bottom Seal
44	69988	Bottom Seal Retainer
45	69986-2	Bottom Fixture - R.H. (Roadside)
	69986-1	Bottom Fixture - L.H. (Curbside)
46	80020	Space Washer-Roller
47	69162	Roller - Sealed
48	69035	End Hinge
49	61196	Center Hinge
50	89113-1	Blind Rivet - 1/4" Dia. X 1/4" Grip
51	69989	Joint Seal
52	80105-408	Hex Head Bolt - 1/4" NC X 1"
53	69265	Top Fixture
54	89100-2	Drive Rivet - 3/16" Dia. X 15/32" LG.
55	61403	Retainer-Head Seal
56	70135	Head Seal
57	89271-1	Blind Rivet - 1/4" Dia X 1" Grip

* See counterbalance instructions at the right.

** Includes bottom seal, bottom fixtures & bottom angle, drilled for lock. Does not include lock, pull strap, lift handle or cable anchor brackets.

Note: Add .05 to end of part number for e-coated part.

MAINTENANCE GUIDE

Lubricate with TODCO FG Lube all roller bearings and stems, (lubricate bottom roller stem through holes in bottom fixture), counterbalance bearings, center and end hinges, and moving lock parts.



Wipe dirt from tracks.

Spray horizontal tracks with TODCO FG Lube or light oil (never grease).

Spray counterbalance with TODCO FG Lube to

prevent rusting. REFER TO SAFETY INSTRUCTIONS STICKER ON DOOR AND OWNER'S MANUAL FOR OPTIONS AND FOR OTHER IMPORTANT SAFETY AND MAINTENANCE ITEMS.



COUNTERBALANCE ASSEMBLIES

Every TODCO counterbalance assembly has been manufactured to meet a custom door specification. TO HELP ENSURE THAT YOU RECEIVE THE CORRECT REPLACEMENT PART OR ASSEMBLY, PLEASE PROVIDE THE DOOR SERIAL NUMBER. This can be found on the metal tag attached to the inside upper right-hand corner of the door.

If the serial number is unavailable, we must have the following information:

- 1) Inside diameter (I.D.) of the torsion spring.
- 2) Length of the torsion spring.
- 3) Number of coils within 10 inches of the torsion spring.
- 4) Length of the shaft.
- 5) Part number on each of the two (2) cable drums.



2 1/2" POLARGUARD® ACCESSORY PARTS

ORDERING INSTRUCTIONS

When ordering parts, be sure to include the part name and number and your door's SERIAL NUMBER. See metal tag attached to the inside upper right-hand corner of the door (standing inside unit facing the door).



Orders for replacement door panels should specify whether top, intermediate or bottom panel is required. Specify panel Height and Width.

For new orders and order inquiries:

call: (740) 383-6376

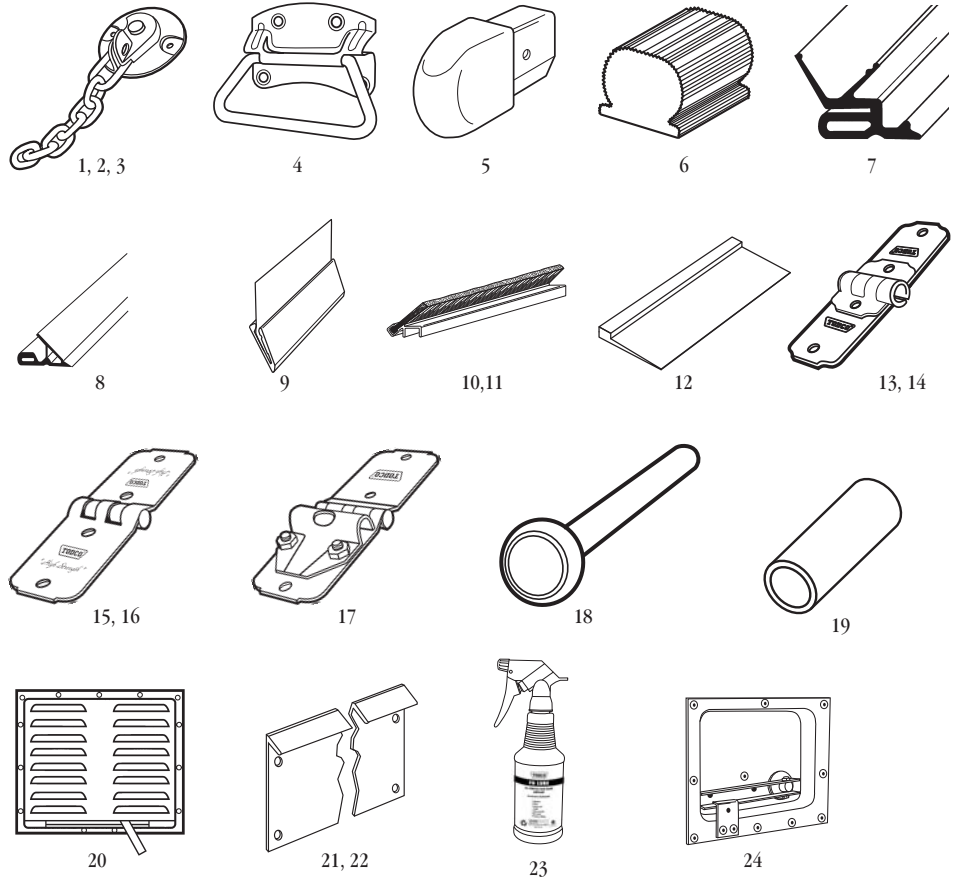
fax: 1-800-24-TODCO
(800-248-6326)



1332 Fairground Road East
Marion, Ohio 43302
(740) 383-6376

NOT JUST TOUGH...TODCO-TOUGH

www.todco.com



Item	Part No.	Description
1	61223	Back Plate - Safety Chain
2	61229	Safety Chain
3	69020	Safety Chain Lock Assembly
4	69325	Drop Lift Handle
5	69353	Head Protector (Yellow)
6	61398	Bumper Stop (Black)
7	70131	Side Seal - Dual Lip
8	69840	Side Seal - Extended Lip
9	70105	Side Seal Assembly Secondary
10	70232	Side Seal Assembly 1" Brush
11	70313	Side Seal Assembly 1-1/2" Brush
12	69718	Head Seal (Panel Mounted)
13	70236	End Hinge - High Strength

Item	Part No.	Description
14	69035.0000.38	End Hinge - EverWare
15	70238	Center Hinge - High Strength
16	61196.0000.38	Center Hinge - EverWare
17	70311	End Hinge Removable Roller
18	70305	Roller - 1" Sealed (Precision Machined)
19	51078	Spring Silencer Boot
20	69085	Polar Vent - Aluminum
21	70306-0512	Forklift Plate - Aluminum (16" Long)
22	70306-1152	Forklift Plate - Aluminum (36" Long)
23	39000-1012	TODCO FG Lube (case)
24	69806	LifeGuard Security Lock Assembly

TODCO reserves the right to change product specifications at any time without notice.