

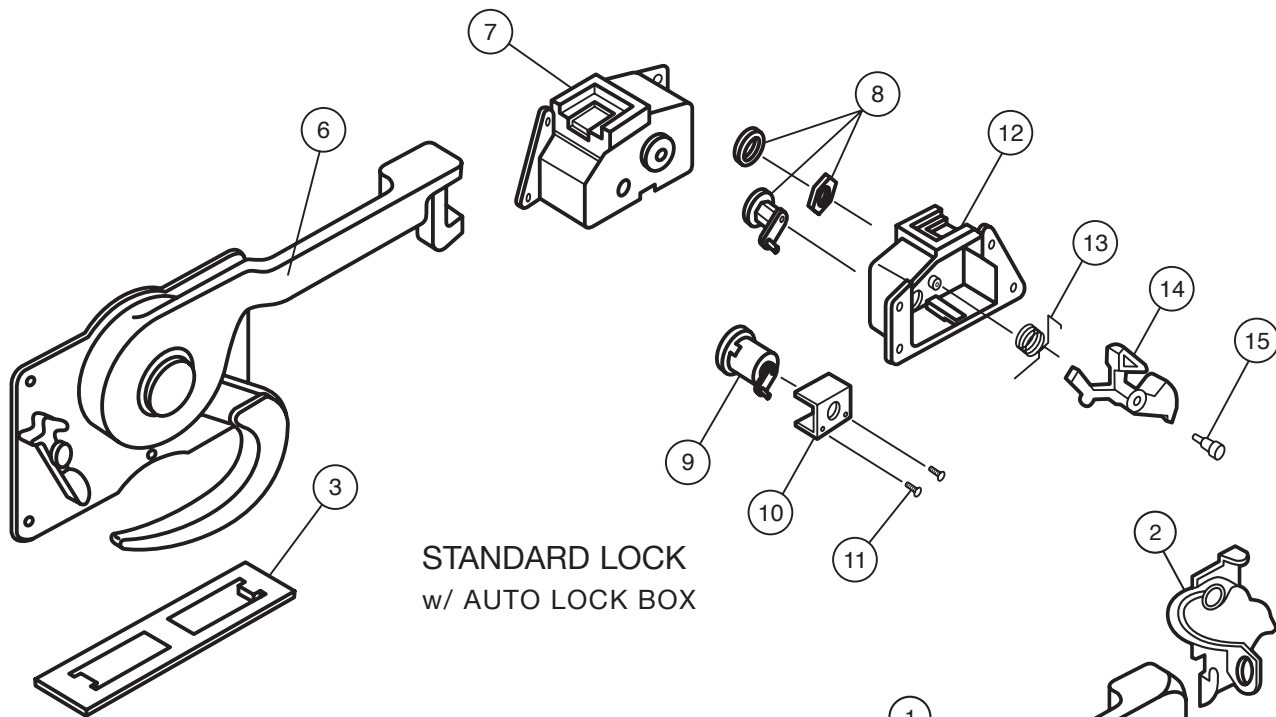
# LOCK OPTIONS

PARTS

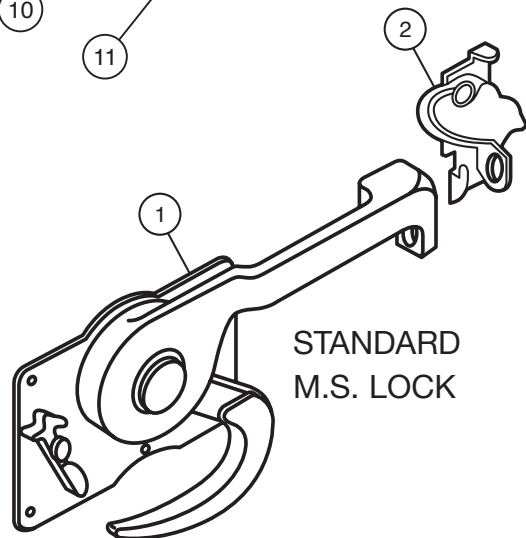




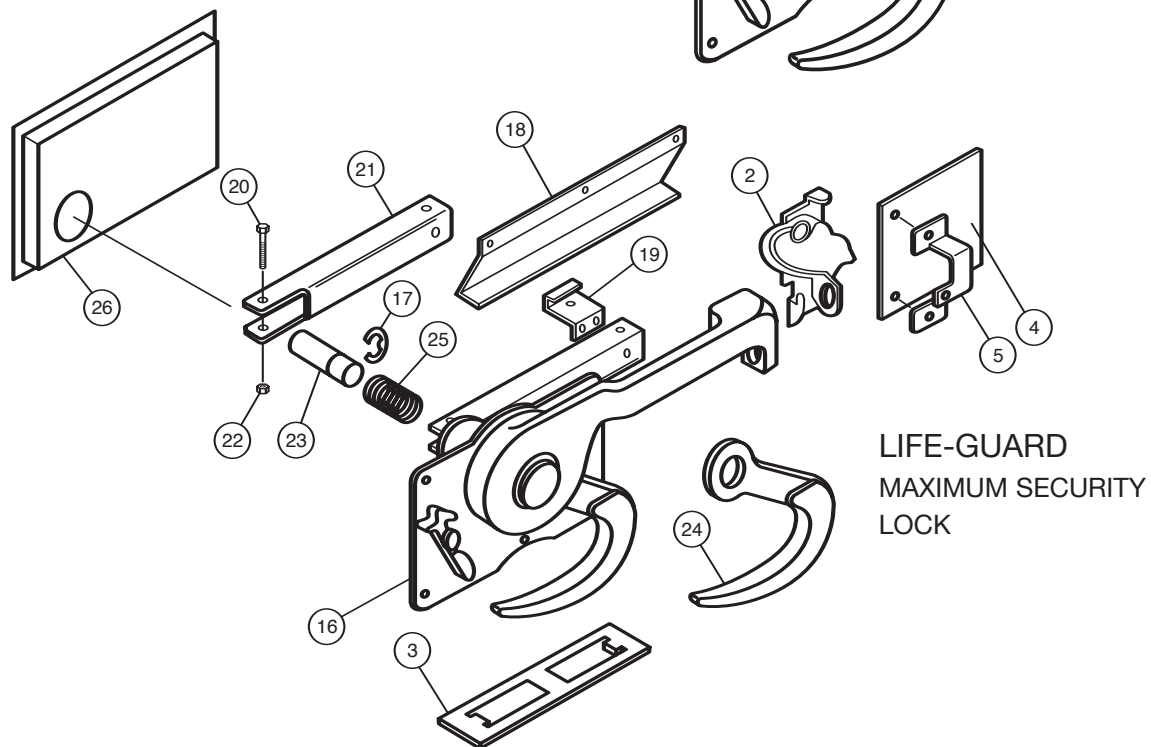
# STANDARD LOCK OPTIONS



STANDARD LOCK  
w/ AUTO LOCK BOX



STANDARD  
M.S. LOCK



LIFE-GUARD  
MAXIMUM SECURITY  
LOCK

## STANDARD LOCKS

Item	Part No.	Description
1	69571	Maximum Security Lock – Standard
	70223	Maximum Security Lock – 1/2" Offset
2	69572	Keeper Assembly
3	70093	Catch Plate – MS Lock
4	69691	Back Plate – Padlock Keeper
5	69602	Padlock Keeper
6	69634	Lock Assembly – Auto Box – Standard
	70220	Lock Assembly Auto Box – 1/2" Offset
7B	69714-1	Auto Housing Assembly – Standard Cylinder
A,B	69714-2	Auto Housing Assembly – Removable Core Cylinder (Less Core & Keys)
8	69711	Lock Cylinder – Standard
9	69011	Lock Cylinder – Removable Core (Less Core & Keys)
10	69670	Retainer – Removable Core Cylinder
11	80288-1408	Round Head Bolt - #10 x 24
12	69709-1	Housing – Standard Cylinder
	69709-2	Housing – Removable Core Cylinder
13	69713	Spring
14	69710	Catch
15	69669	Shoulder Bolt
16	69807	Life Guard Lock Assembly – Standard
	69807-1	Life Guard Lock Assembly – 1/2" Offset
17	80415-23	Retaining Ring
18	69184	Lock Protector
19	69687	Security Clip – 3/4" Door
	70096	Security Clip – 1-1/8" Door
	70147	Security Clip – 2-1/2" Door
20	89158	Hex Head Bolt – Grade 5
21	69816	Release Handle
22	89042-2	Lock Nut – 1/4" NC
23	69815	Lock Pin
24	70115	Lever Arm – Standard
	70221	Lever Arm – 3/8" Offset
25	69803	Spring
26	69929	Cover Pan – 2-1/2" Door
<p>(A) Removable Core Cylinder furnished less core and keys; will accept Best or Falcon Core with 6-pin tumbler</p> <p>(B) Key removable in locked position only</p>		

## SLAM LOCK PARTS

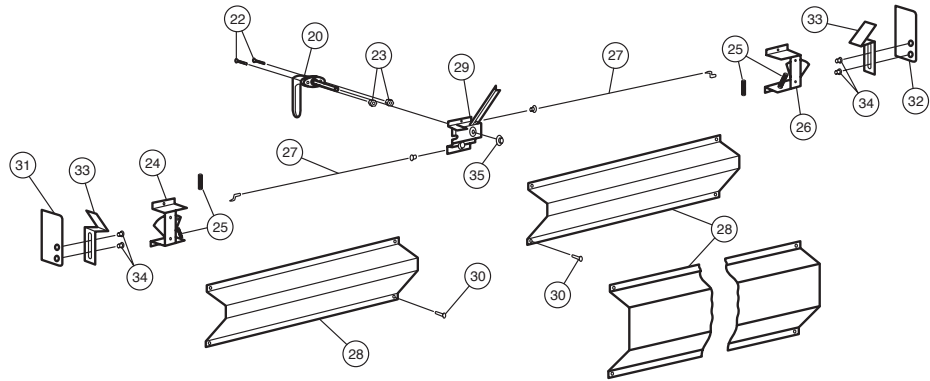
Item	Part No.	Description
1	69799	Lock Cylinder – Standard (Option 1 & 3)
A,B	69011	Lock Cylinder – Removable Core – Less Core & Keys (Option 5)
	69800	Escutcheon – Standard Cylinder (Option 1 & 3)
2	61450	Escutcheon – Removable Core Cylinder (Option 5)
3	61380	Shim Strip
4	61382	Back Plate
5	61378	Top Cam Catch – Option #1
6	61427	Top Cam Catch – Option #3
7	69007	Top Cam Catch – Option #5
8	61426	Spring – Top Cam Catch – Option #3
9	61385	Rivet – Top Cam Catch
10	61387	Rivet – Return Spring
11	61377	Cam
12	69627	Lock Bolt
13	61388	Return Spring – Lock Bolt
14	61386	Rivet – Lock Bolt
15	61381	Cover Plate
16	61375	Guide Pin
17	61379	Floor Catch Plate – Steel Sill
	69120	Floor Catch Plate – Aluminum Sill
18	69991	Lock Cylinder & Escutcheon Assembly (Option 1 & 3)
19	69014	Recessed "D" Handle – Keyed
20	69017	Outside "L" Handle – Keyed
	69000	Outside "L" Handle – Plain
21	69927	Padlocking "L" Handle
22	80037-1316	Phillips Head C/S Screw – 1" LG.
	80037-1324	Phillips Head C/S Screw – 1-1/2" LG.
23	89104	"T" Nut Fastener - #10 x 32
24	70097-1	End Latch Assembly – LH (Curbside)
25	70101	Compression Spring
26	70097-2	End Latch Assembly – RH (Roadside)
27	70102	Cable Assembly – Specify Panel Length
28	69954	Cable Cover (2 Required)
	70106	Cable Cover – Full – Specify Panel Length
29	69959	Center Control
30	89136	Hex Head Screw - #10
31	69953-1	Catch Mounting Plate – LH (Curbside)
32	69953-2	Catch Mounting Plate – RH (Roadside)
33	69951	Lock Catch
34	89155	Flange Lock Nut – 5/16" NC
35	89078	Retaining Ring
36 B	69648-1	Slam Lock Assembly – Option #1
37	69648-3	Slam Lock Assembly – Option #3
38	69648-4	Slam Lock Assembly – Option #4
39 A,B	69648-5	Slam Lock Assembly – Option #5 (Removable Core Lock Cylinder)
<p>(A) Removable Core Cylinder furnished less core and keys; will accept 6-pin Best tumbler</p> <p>(B) Key removable in locked position only</p>		



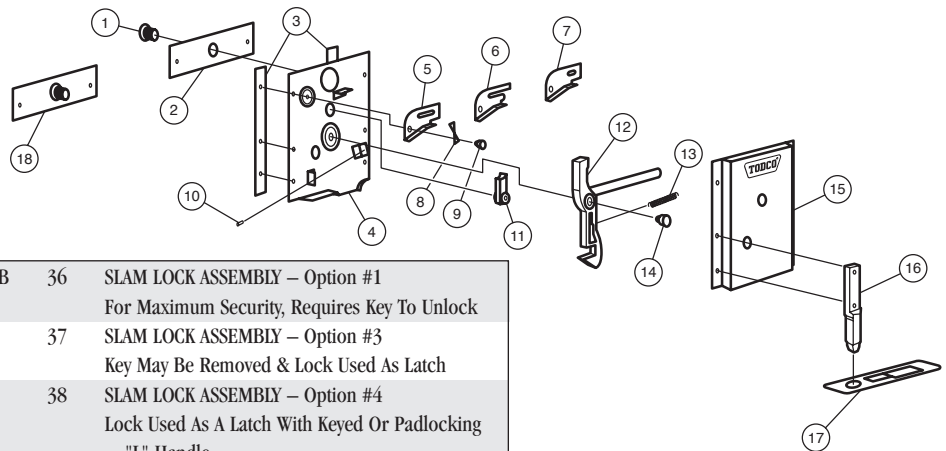
# SLAM LOCK OPTIONS

Parts lists for these items are on the preceding page.

## TWO-POINT SLAM LOCK



## SLAM LOCK ASSEMBLY



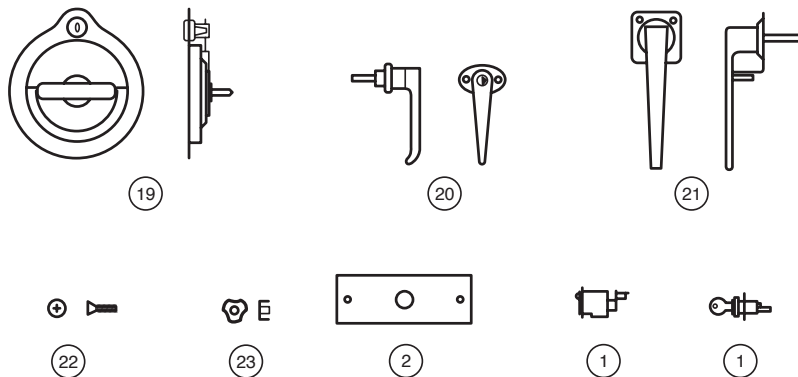
B	36	SLAM LOCK ASSEMBLY – Option #1 For Maximum Security, Requires Key To Unlock
	37	SLAM LOCK ASSEMBLY – Option #3 Key May Be Removed & Lock Used As Latch
	38	SLAM LOCK ASSEMBLY – Option #4 Lock Used As A Latch With Keyed Or Padlocking "L" Handle
A,B	39	SLAM LOCK ASSEMBLY – Option #5 For Maximum Security, Requires Key To Unlock, With Removable Core Lock Cylinder, No Core Or Keys Furnished

For new orders and order inquiries:

call: (740) 383-6376

fax: 1-800-24-TODCO  
(800-248-6326)

## HANDLE AND HANDLE HARDWARE OPTIONS



1332 Fairground Road East  
Marion, Ohio 43302  
(740) 383-6376

**NOT JUST TOUGH...TODCO-TOUGH**

www.todco.com