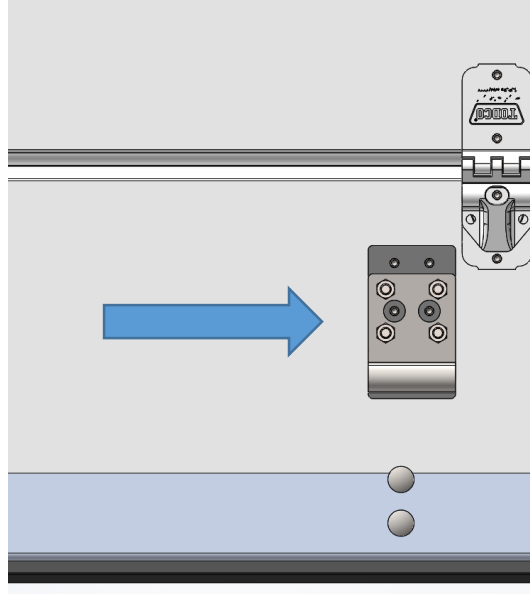


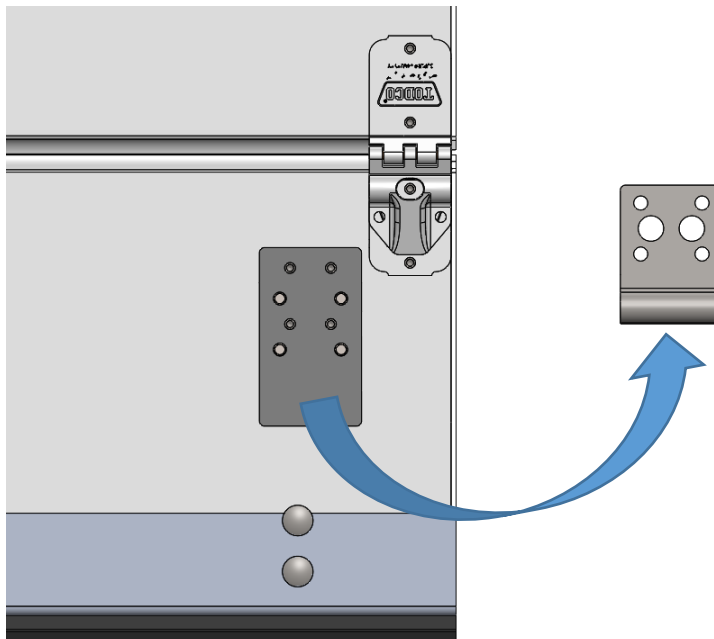


TODCO Hold Open Door Keeper Typical Installation

1. Locate the Hold Open Door Keeper back plate assembly installed on the bottom panel road side and curb side. Road side shown below.



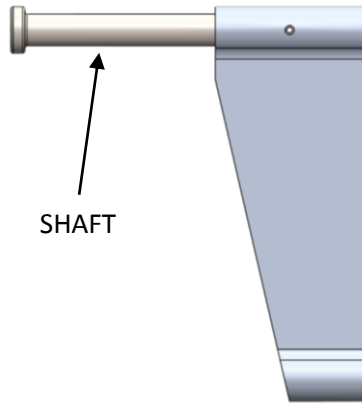
2. With a ½" wrench or socket, remove the four (4) nuts that attached the cover to the back plate and removed the cover. Do not discard the nuts as they will be reinstalled.



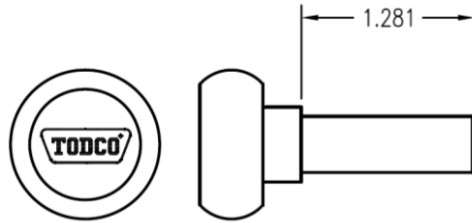


TODCO Hold Open Door Keeper Typical Installation

3. Locate the Hold Open Door Keeper link arm in the hardware box supplied by TODCO along with the two (2) "shorty" rollers. See below for reference. Both parts are universal fit (no left or right part).

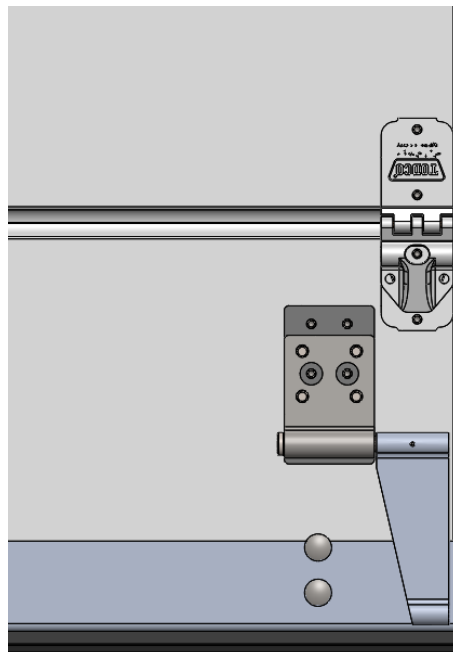


ROLLER LINK ARM



'SHORTY' ROLLER

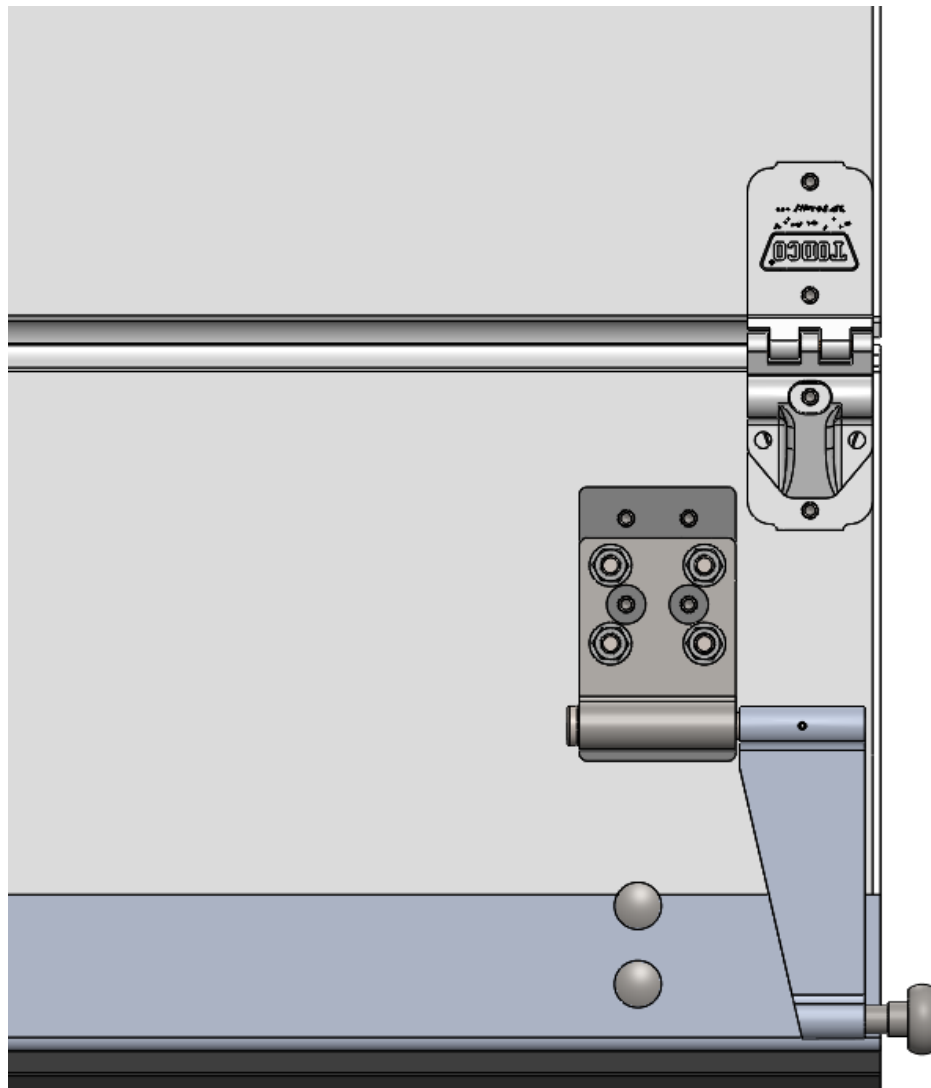
4. Install the Hold Open Door Keeper link arm into the back plate assembly by placing the roller link arm shaft between the back plate (installed on door) and cover removed in step two as shown below. Road side shown. Curb side opposite.





TODCO Hold Open Door Keeper Typical Installation

5. Reinstall and tighten the four (4) nuts removed in step two. Torque to 15 ft-lbs.
6. Secure roller link arm into position with an adhesive backed tape product sufficient enough to hold the link arm against the door during the installation process (as shown below). Be sure the product used will not cause damage to the door finish or leave residue on the Hold Open Door Keeper when removed (ex. 2" Painters tape). During the door installation process, the 'shorty' rollers are to be installed into the Hold Open Door Keeper (one per side) as shown. The remainder of the rollers are standard length and are installed in typical manner.



Installation complete

